

# 1 Mounting the HMI device 安装 HMI 设备

## 1.1 Important information – 重要信息

This document provides simple installation instructions. Complete installation, commissioning and safety instructions are described in the operating instructions manual.



本文档仅是安装说明。完整的安装、调试以及安全指南，可参考操作说明手册。

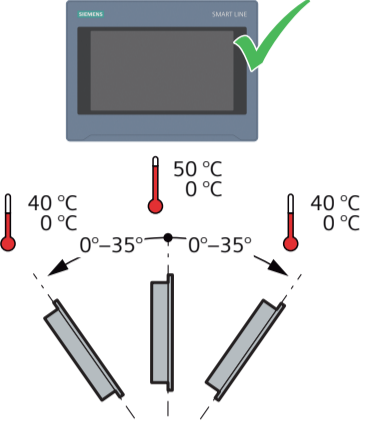
<https://w2.siemens.com.cn/smart/Product/HMI>

请点击此链接或扫描右侧的二维码来下载操作说明手册和软件 WinCC flexible SMART。Please click on this link or scan the QR code on the right to download the operating instructions manual and the software WinCC flexible SMART.

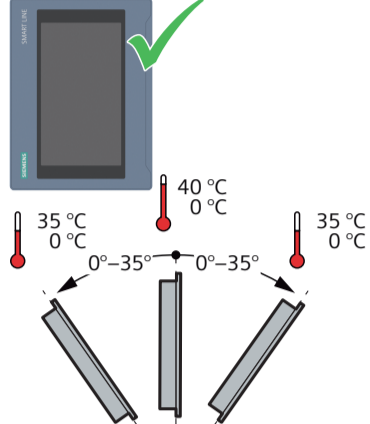


## 1.2 Valid Mounting positions – 有效的安装位置

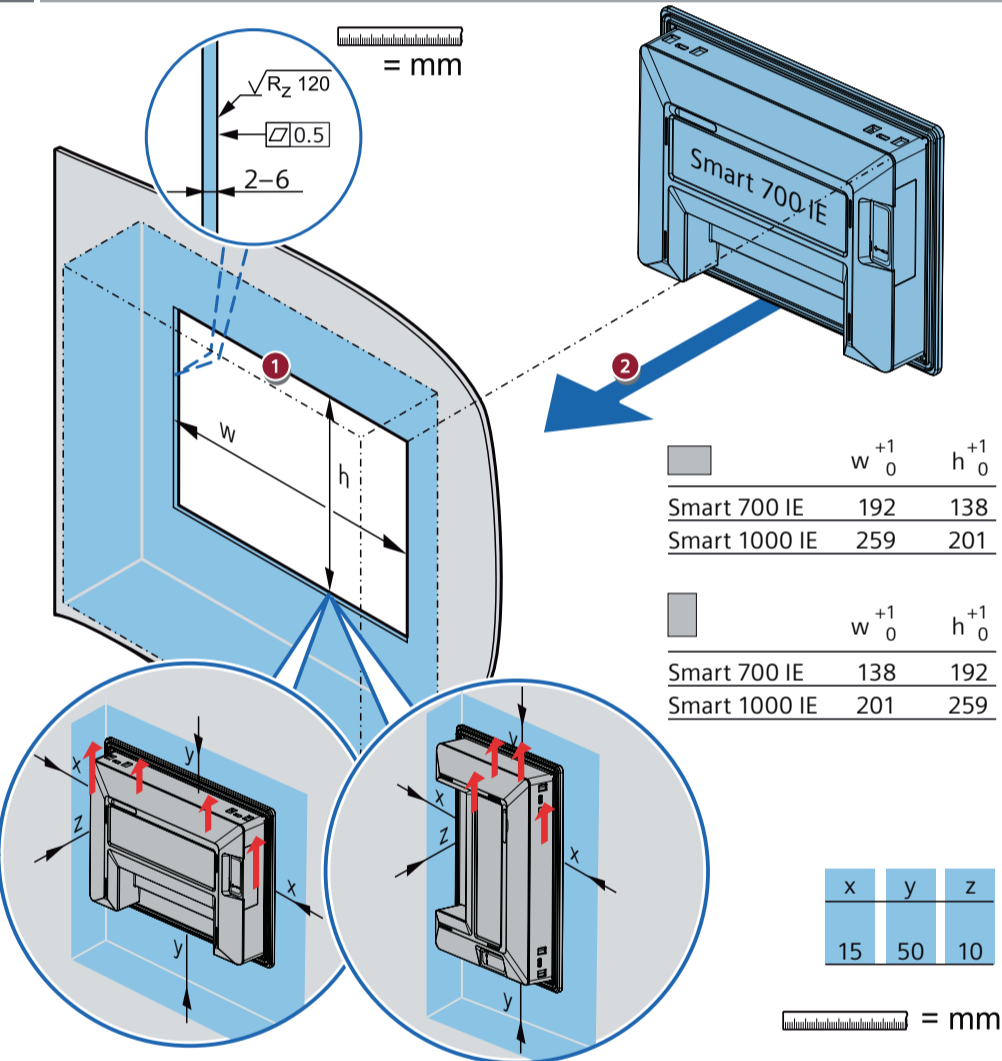
### Horizontal mounting 水平安装



### Vertical mounting 垂直安装

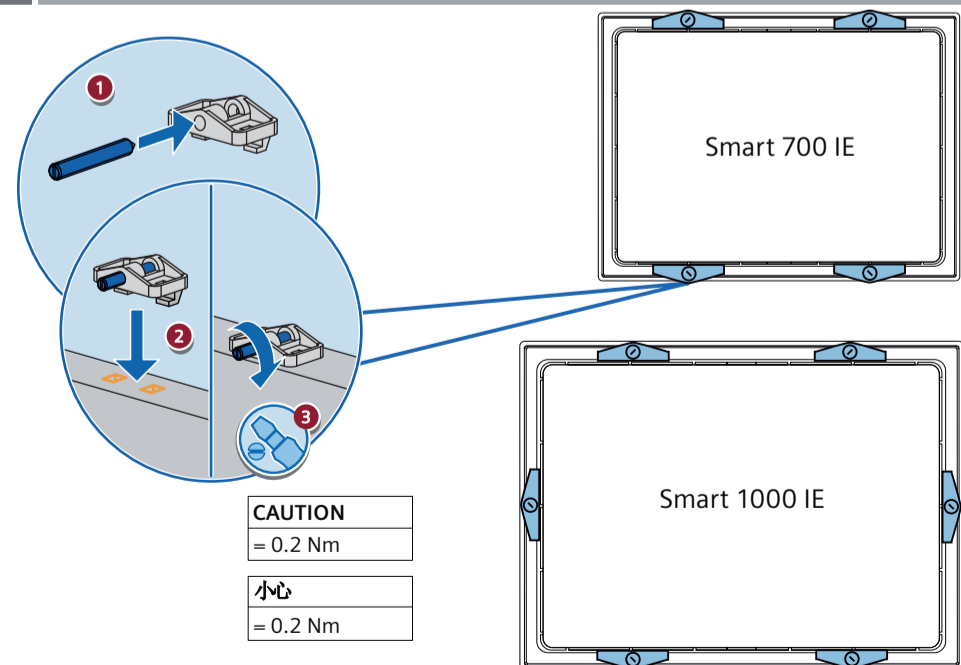


## 1.3 Installing the HMI device – 安装 HMI 设备



Note: If you install the IoT module, please leave 50 mm clearance on the module slot side of HMI device.  
注意：如果要安装 IoT 模块，请在 HMI 设备中模块插槽一侧预留 50 毫米的间隙。

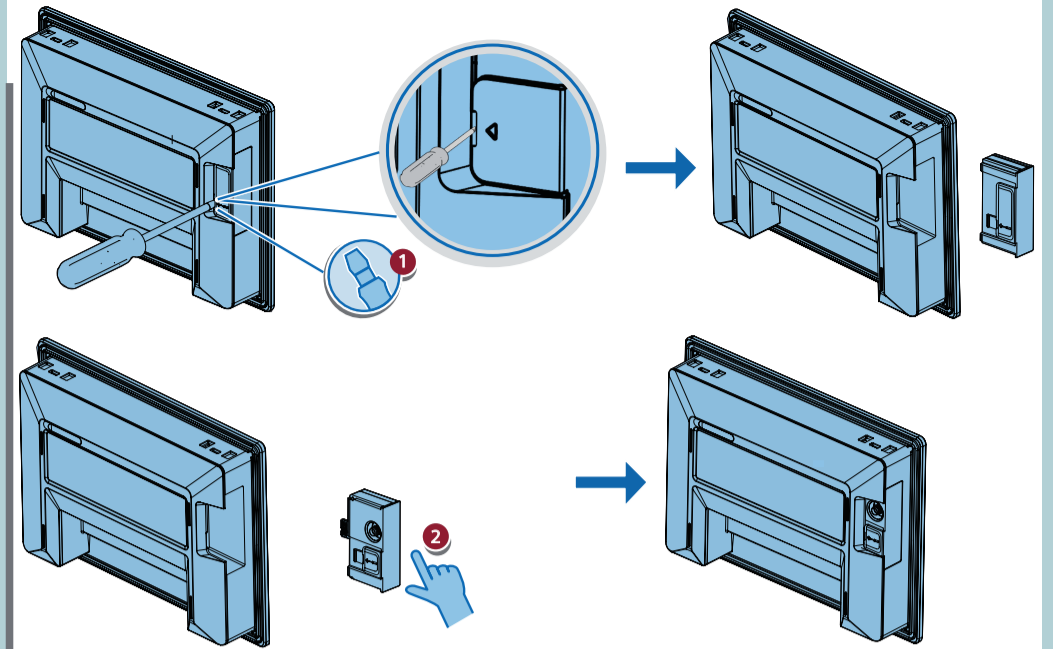
## 1.4 Mounting the HMI device – 安装 HMI 设备



## 1.5 Installing the IoT module – 安装 IoT 模块

Note: IoT modules are not supplied with HMI device. You can order IoT modules on Siemens Industry Mall (<https://sieportal.siemens.com/zh-cn/home>).  
注意：IoT 模块不随 HMI 设备提供。请在西门子工业商城 (<https://sieportal.siemens.com/zh-cn/home>) 订购。  
Order Number 订货号：  
IoT module WIFI (IoT 模块 WIFI) : 6AV6648-1CM01-3AX0  
IoT module 4G (IoT 模块 4G) : 6AV6648-1CM11-3AX0

## 1.5 Installing the IoT module – 安装 IoT 模块



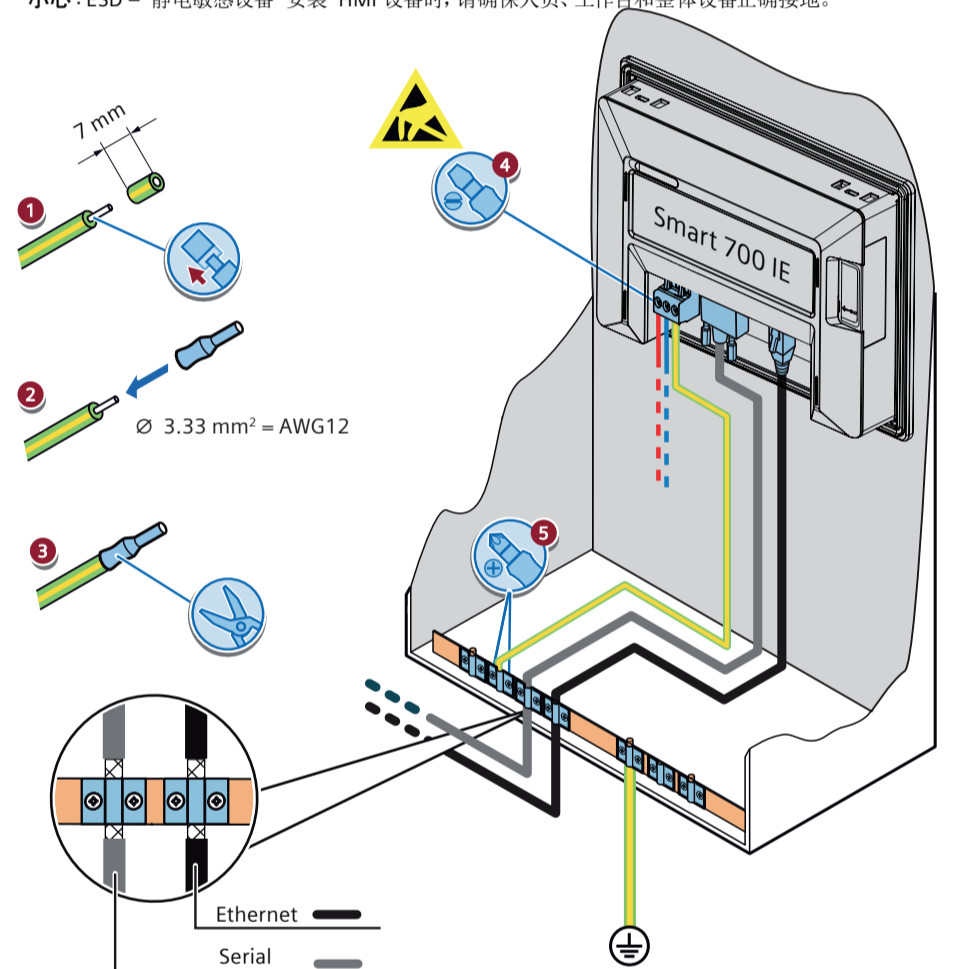
## 2 Connecting the HMI device 连接 HMI 设备

### 2.1 Important information – 重要信息

Ensure that you install sufficient strain relief for all connection cables on the outside of HMI device.  
小心：请确保在 HMI 设备外部为所有连接电缆安装足够的张力消除装置。

### 2.2 Connecting the function earth – 接地保护

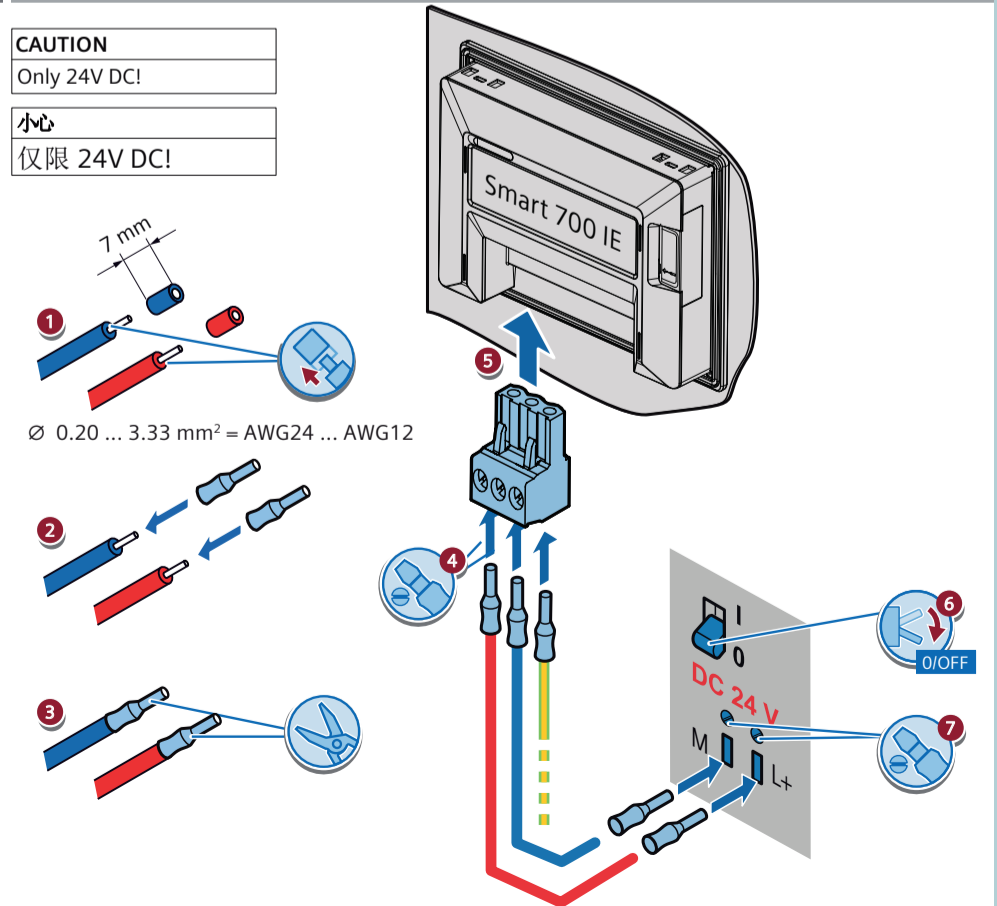
CAUTION: ESD – Electrostatic Sensitive Device When mounting the HMI device, make sure that the person, the workplace and the packaging are properly grounded.  
小心：ESD – 静电敏感设备 安装 HMI 设备时，请确保人员、工作台和整体设备正确接地。



Caution: Route the grounding cable and data cables in parallel with minimum clearance.  
小心：以最小间距，平行敷设接地线和数据电缆。

### 2.3 Connecting the power supply – 连接电源

CAUTION  
Only 24V DC!  
小心  
仅限 24V DC!



# 3

## Downloading a project 下载项目

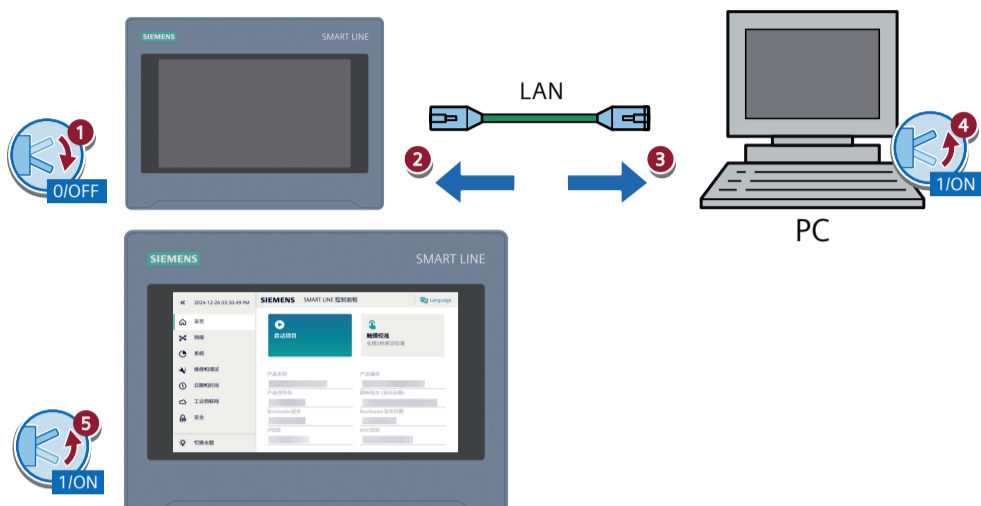
### 3.1 Connecting a configuring PC – 连接组态 PC

#### CAUTION

Downloading a project will overwrite the current project on your HMI device.  
If required, save existing data before the download.

#### 小心

下载项目时，HMI 设备中的当前项目将被覆盖。  
根据需要，在下载前保存现有数据。



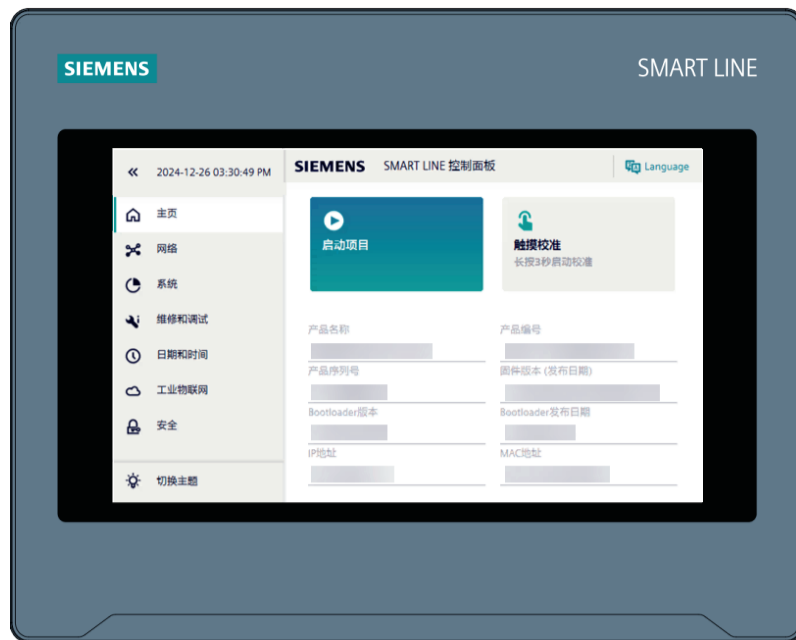
### 3.2 Configuring the data channel – 组态数据通道



<https://w2.siemens.com.cn/smart/Product/HMI>



### 3.2 Configuring the data channel – 组态数据通道



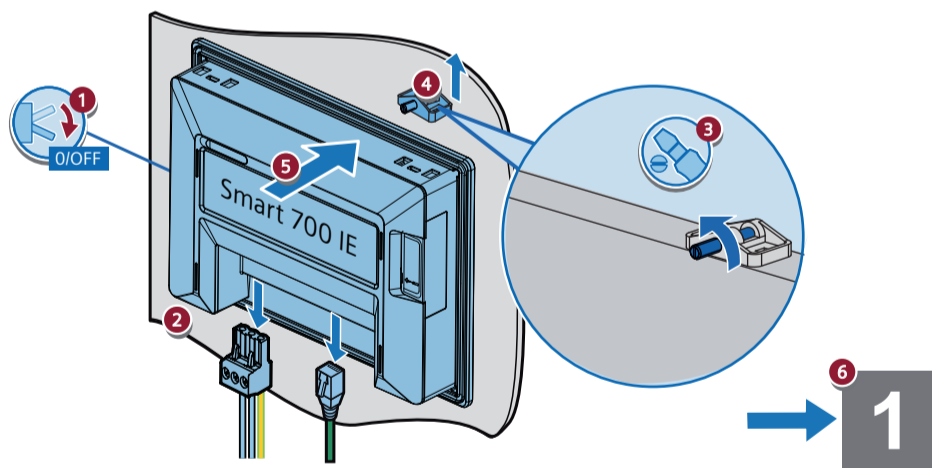
## 4 Replacing the HMI device 更换 HMI 设备

#### CAUTION

If required, save existing data before replacing the HMI device.

#### 小心

根据需要，在更换 HMI 设备前保存现有数据。



# SIEMENS

SIMATIC HMI  
Smart 700 IE V5  
Smart 1000 IE V5

Technical Support  
技术支持

<https://support.industry.siemens.com>



Service and spare parts  
维修和备件

<https://support.industry.siemens.com/cs/ww/en/sc/2110>



03/2026  
A5E54195786-AC

Mounting the HMI device  
安装 HMI 设备

1

Connecting the HMI device  
连接 HMI 设备

2

Downloading a project  
下载项目

3

Replacing the HMI device  
更换 HMI 设备

4